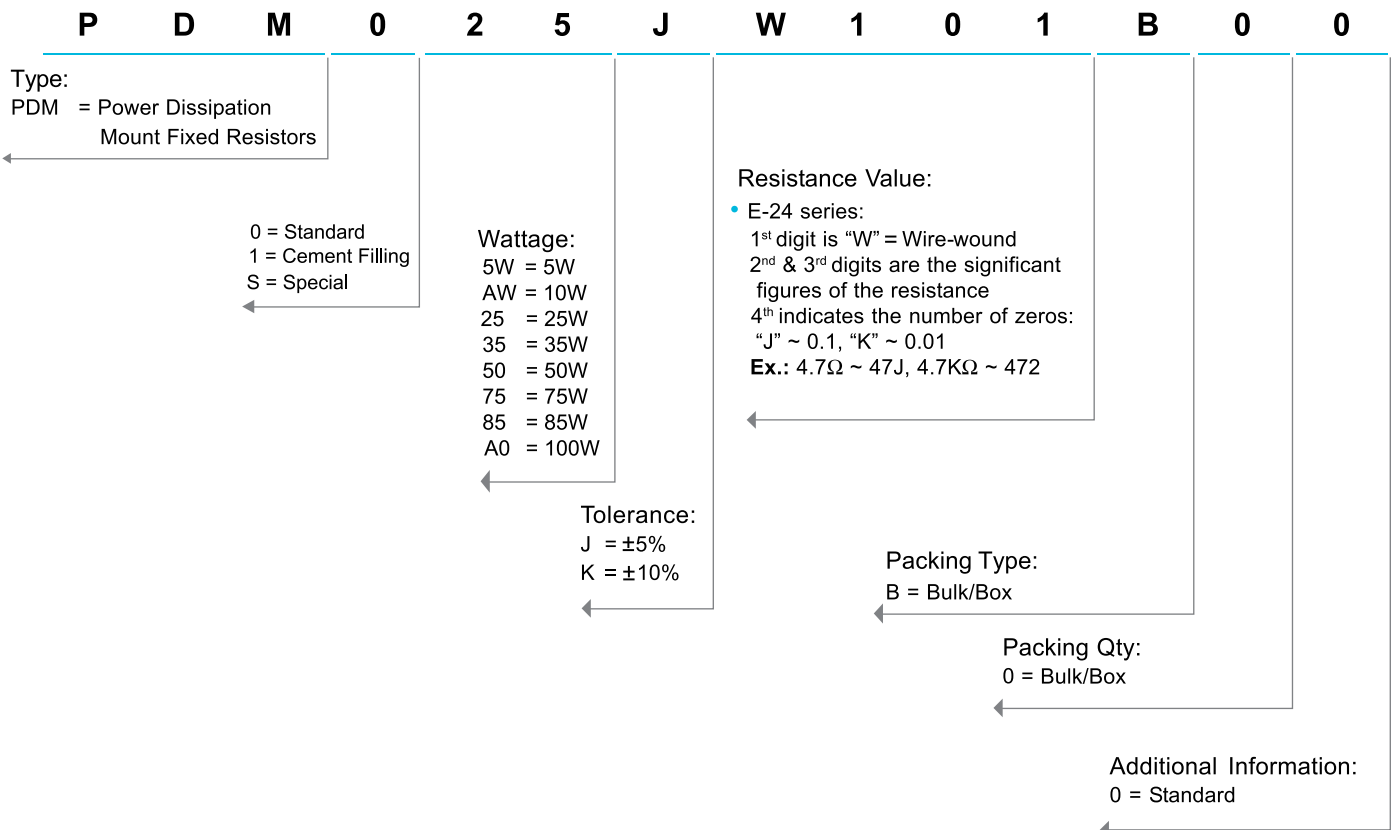


Power Dissipation Mount Fixed Resistors

Performance Specification

Temperature Coefficient	<20Ω ±400PPM/°C ; ≥20Ω ±350PPM/°C.
Short Time Overload	± (5.0% + 0.05Ω) Max, with no evidence of mechanical damage.
Dielectric Withstanding Voltage	No evidence of flashover, mechanical damage, arcing or insulation breakdown.
Terminal Strength	No evidence of mechanical damage.
Resistance to Soldering Heat	± (1.0% + 0.05Ω) Max, with no evidence of mechanical damage.
Solderability	Min. 95% coverage.
Temperature Cycling	± (5.0% + 0.05Ω) Max, with no evidence of mechanical damage.
Humidity (Steady State)	±(3.0% + 0.05Ω) Max, with no evidence of mechanical damage.
Load Life in Humidity	For Wire-wound range, ±(5.0% + 0.05Ω)Max
Load Life	For Wire-wound range, ±(5.0% + 0.05Ω)Max

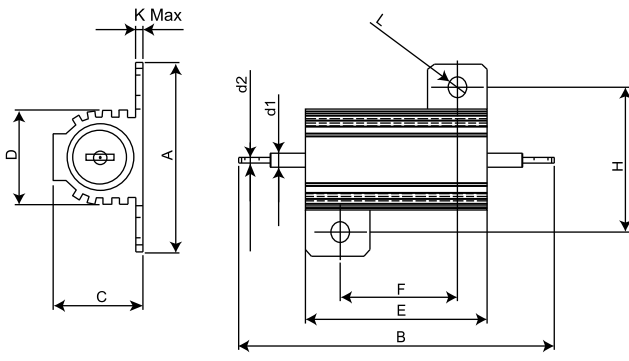
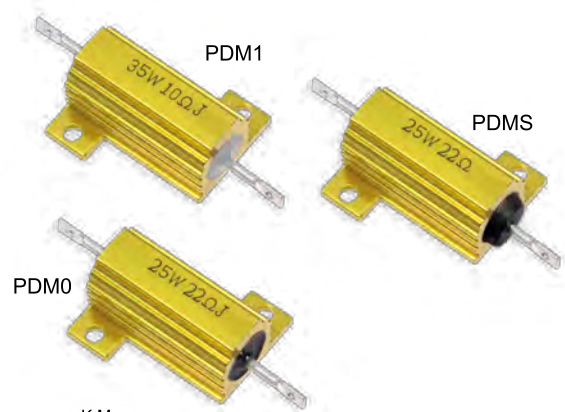
Ordering Procedure: Ex.: PDM 25W,+/- 5%, 100Ω, B/B



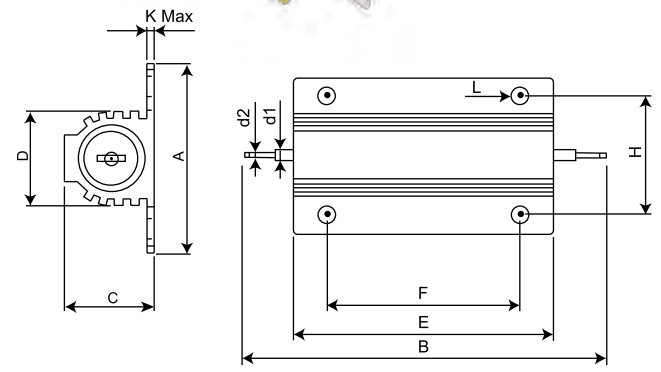
Power Dissipation Mount Fixed Resistors

Features

- Low inductance
- Safety flameproof construction
- Lightweight body with high power rating
- Application: Power supply, adapter, industrial application



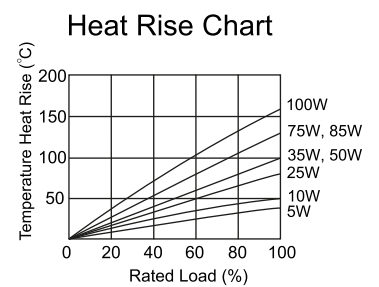
5W-50W, 85W



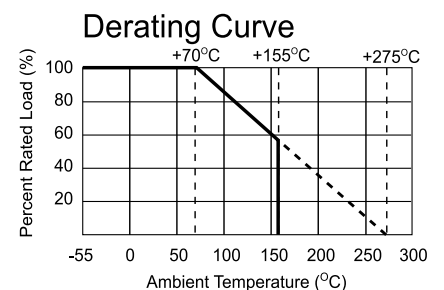
75W, 100W

Style	A ±1	B ±2	C ±1	D ±1	E ±1	F ±1	H ±1	K Max	L ±0.5	d ₁ ±0.2	d ₂ ±0.2
PDM1 5W	16.5	34	8	8.5	15	10	12.5	2.5	2	0.8	-
PDM1 10W	22.5	33.5	10.5	10.5	20	13	15.5	3.2	3	2	0.8
PDM1 25W PDMS 25W	27	47	14	13.5	27	18	19	3.2	3.5	2	0.8
PDM1 35W	30	60	15.5	15.5	33	22	23.5	3.2	3.5	2	0.8
PDM1 50W PDMS 50W	30	75	16	15.5	50	40	21.5	3.2	3.5	2	0.8
PDM1 75W	47.5	88	26	27	66	36	37	3.7	4.5	2.3	1.1
PDM1 85W	30	100	15.5	15.5	75.5	40	23.5	3.2	3.5	2	0.8
PDM1 100W	48	120	26	27	98	72	37	3.7	4.5	2	0.8

Style	A ±0.5	B ±1	C ±0.5	D ±2	E ±0.5	F ±0.2	H ±0.2	K Max	L ±0.5	d ₁ ±0.05	d ₂ ±0.2
PDM0 5W	16	32.5	8	8	15.5	11	12	2.5	2	1.5	0.3
PDM0 10W	22.3	40.5	12.2	11	20.5	15.2	17.2	3.2	2.5	2	0.8
PDM0 25W	30.3	45.5	16.3	14	27.5	18.2	20.2	3.2	3	2	0.8
PDM0 35W	30.3	56.5	16.3	16.3	34.5	24.2	20.2	3.2	3	2	0.8
PDM0 50W	30.3	78.5	16.3	16.5	50.5	40.2	20.2	3.2	3	2	0.8
PDM0 75W	47 ±1	102	25 ±1	-	66 ±1	35 ±1	37 ±1	-	4.5	5	-
PDM0 100W	70 ±1	135	44.5 ±1	-	89 ±1	69 ±1	48 ±1	-	5	6	-



Style	Power Rating at 70°C	Lowest Ohmic Value	Standard Resistance Range	Highest Ohmic Value
PDM 5W	5W	0.01Ω	5.1Ω ~ 1KΩ	1.8KΩ
PDM 10W	10W	0.05Ω	5.1Ω ~ 1.5KΩ	5KΩ
PDM 25W	25W	0.05Ω	5.1Ω ~ 8.2KΩ	12KΩ
PDM 35W	35W	0.05Ω	5.1Ω ~ 8.2KΩ	15KΩ
PDM 50W	50W	0.05Ω	5.1Ω ~ 20KΩ	35KΩ
PDM 75W	75W	0.05Ω	0.1Ω ~ 20KΩ	35KΩ
PDM 85W	85W	0.05Ω	0.1Ω ~ 20KΩ	35KΩ
PDM 100W	100W	0.05Ω	1Ω ~ 3KΩ	-



Note : Part no PDMS special 25W, 50W only.
Above 100W available on case to case basis.